

S-line Uni

1-way / 2-way / 4-way

Installation Guide English

Fits Easee, Defa Power, Zaptec Pro*
* with mounting plates

About the product

S-Line Uni is a universal pole top for mounting up to 4 chargers of different brands on a pole.

With an S-Line Uni, you can choose between several different charger brands and the number to mount. Single installation where you mount one charger on the pole top, double installation with two chargers mounted on the pole top, or quadruple installation with up to four chargers mounted on the pole top.

Technical specification

General

Dimensions (mm): H 460 x W 160 x D 160
Weight: 3.6 - 5.8 kg
(depending on delivery scope)
Material: Aluminum
Surface treatment: Powder coating (C5)
Color: Black
IP Rating: IP44
Insulation class: Class 1
Impact resistance: IK10

Electrical connection

Connection via a distribution terminal requires that the circuit is protected against earth faults (RCD).

Cable size

Maximum support for 16 mm² flexible conductors with ferrules and 25 mm² solid conductors. Cable length between the charging box and distribution terminal: approx. 600 mm. Conductor material: CU or ALU.

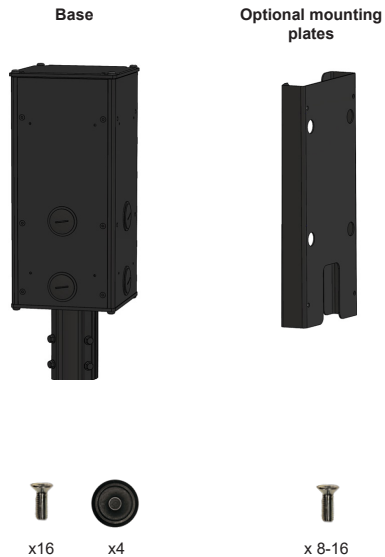
Safety

Safety instructions for installation

- This product may only be installed, repaired, or serviced by a qualified electrician. All applicable local, regional, and national electrical installation regulations must be followed.
- Risk of death due to high electrical voltage. Never modify any components or connection cables.
- Installation must not be carried out near explosive atmospheres or in areas with running water.
- The product must be installed in a permanent location.
- The terminals on the backplate are energized when the circuit is closed and must never be in direct contact with or touch anything other than the terminals.
- Depending on the type of installation, official permits may be required before installation can take place.
- Danger to life due to high electrical voltage. Never make any changes to components or connection cables.

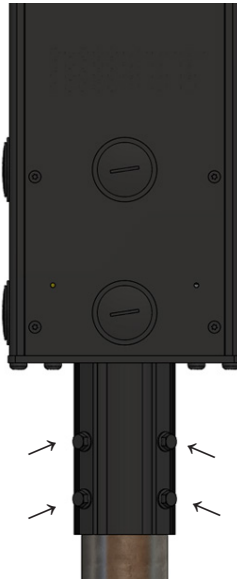
- Always ensure that prescribed service, installation, and repairs are carried out by a qualified electrician and in accordance with local regulations.
- If a fire occurs, do not use water to extinguish it. Never clean the product with a high-pressure washer or under running water.
- Do not expose the product's interior to water or other liquids.
- It is advisable to have extra protection around the pole when it is installed in an open parking lot.
- Make sure that children do not play with the product.
- Do not use extension cords or unapproved adapters with the product.
- Do not use the product near strong electromagnetic fields or in close proximity to radio transmitters.

Scope of delivery



Post mounting

Place the post cap on top of the post. Tighten the screws.



Connection

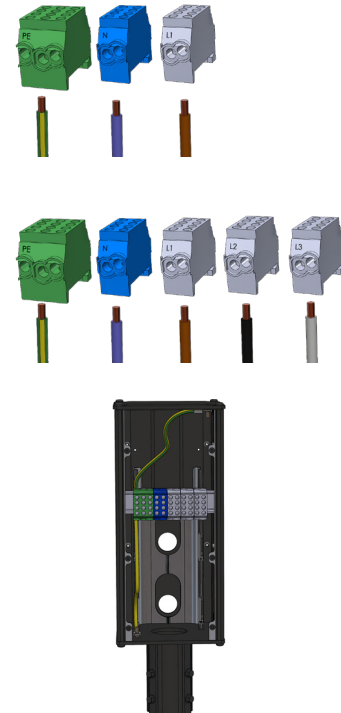
1. Strip 12 mm from the cable ends. If the cable has flexible conductors, it is recommended to use end sleeves on all wires. Use the correct tool to crimp them.
2. Tighten the screw terminal with a torque of 2-2.5 Nm (recommended).

NOTE! Dielectric grease must be applied when using ALU conductors.

NOTE! When connecting multiple backplanes in parallel, each terminal acts as a connection point for adjacent backplanes. All backplanes must be connected with the same phase sequence. External junction boxes or flat cables can be used if more convenient.

NOTE! It is recommended to follow the existing color codes used during installation. Depending on national standards, cable colors may differ from the illustrations. The illustrations in this manual follow the IEC 60446 standard.

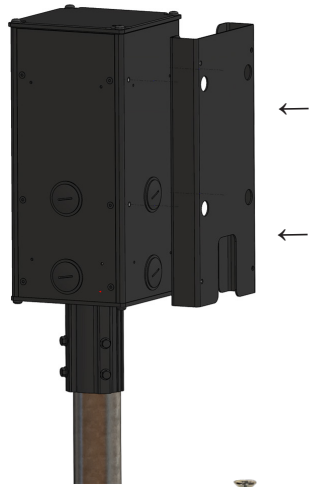
NOTE! Before turning on the power, ensure that the wires are properly connected and tightened. Test this by pulling on each cable.




1 Options with mounting plates

You only perform this step if you are installing the Zaptec Pro.

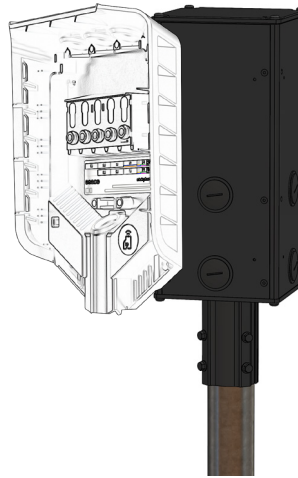
Install the mounting plates (1-4 pieces). **NOTE!** When installing 4 mounting plates, you must complete steps 3 and 4 BEFORE attaching the fourth mounting plate.



 x4 per mounting plate

2 Installation of charging

Install the charger (s) with the included screws. Use the included glands for cable entry.



Note! The backplates looks different depending on the brand.



x4

3 Connecting the chargers

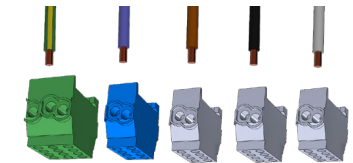
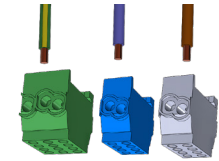
1. Strip 12 mm from the ends of the cable. If the cable has flexible conductors, it is recommended to use end sleeves on all wires. Use the appropriate tool to crimp them.
2. Tighten the screw terminal with a torque of 2-2.5 Nm (recommended).

NOTE! Dielectric grease must be applied when using ALU conductors.

NOTE! When connecting multiple backplates in parallel, each terminal functions as a connection point for adjacent backplates. All backplates must be connected with the same phase sequence. External junction boxes or flat cables can be used if more convenient.

NOTE! It is recommended to follow the existing color codes used during installation. Depending on national standards, the cable colors may differ from the illustrations. The illustrations in this manual follow the IEC 60446 standard.

NOTE! Before turning on the power, make sure the wires are properly connected and tightened. Test this by pulling on each cable.



4 Installation of side cover

Attach the side cover/service flap using the screws.

